

## High Efficiency Integrated Driver for 3-Strings of 100mA LEDs

### POWER MANAGEMENT Features

- Wide input voltage range from 4.5V to 27V
- 36V maximum output voltage
- Drives up to 30 WLEDs in 3 strings
- **Programmable LED current for up to 100mA per string**
- **+/- 2% string-to-string current matching**
- **Up to 90% efficiency**
- Wide 0.2% to 100% PWM dimming range
- Possible analog dimming
- Integrated 2.5A power switch
- 700kHz switching frequency for small size
- Adjustable OVP for cost-effective output cap selection
- **Open/short LED protection**
- Thermal protection with auto-recovery
- Thermally enhanced TSSOP-16 EDP package
- Pb Free, Halogen Free, and WEEE/RoHS Compliant

### Applications

- Medium-sized LCD panel
- Notebook Display
- Automotive Car Navigation Display
- Sub-Notebook and Tablet Computer Displays
- Portable Media Players

### Description

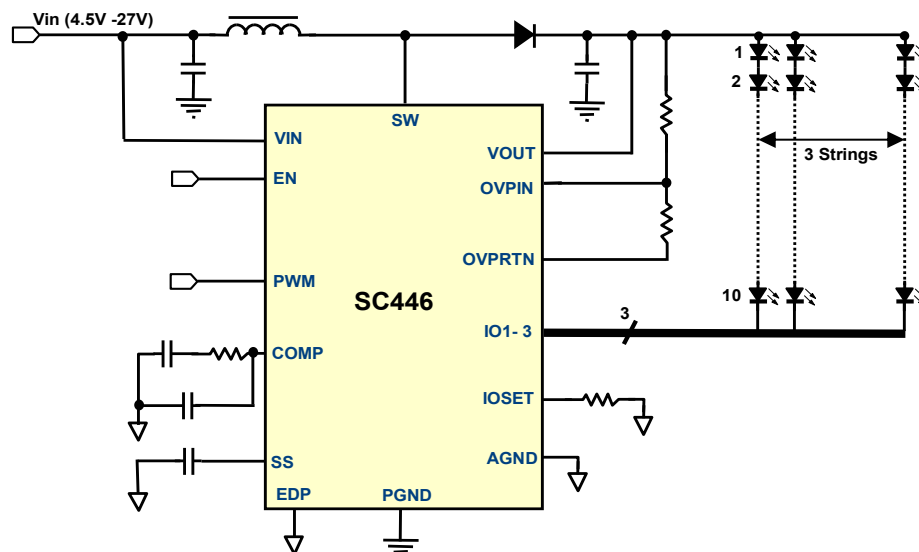
The SC446 is a high-efficiency multiple string WLED driver with an integrated boost converter. It operates over a wide input range from 4.5V to 27V with a maximum output voltage of 36V and a 2.5A internal power switch. It can drive up to thirty WLEDs in 3 strings with current up to 100mA per string. The string-to-string current matching is 2% typical, 3% maximum. The overall efficiency is greater than 90% due to the low current sense voltage and a low-impedance internal power switch. The wide PWM dimming range boasts a ratio of 500: 1.

The 700kHz switching frequency enables the user to optimize the external component sizes for efficiency. When there are fewer than 10 LEDs in each string, users can adjust the output voltage protection yielding an allowable reduction in associated costs, size and voltage ratings of the output capacitor.

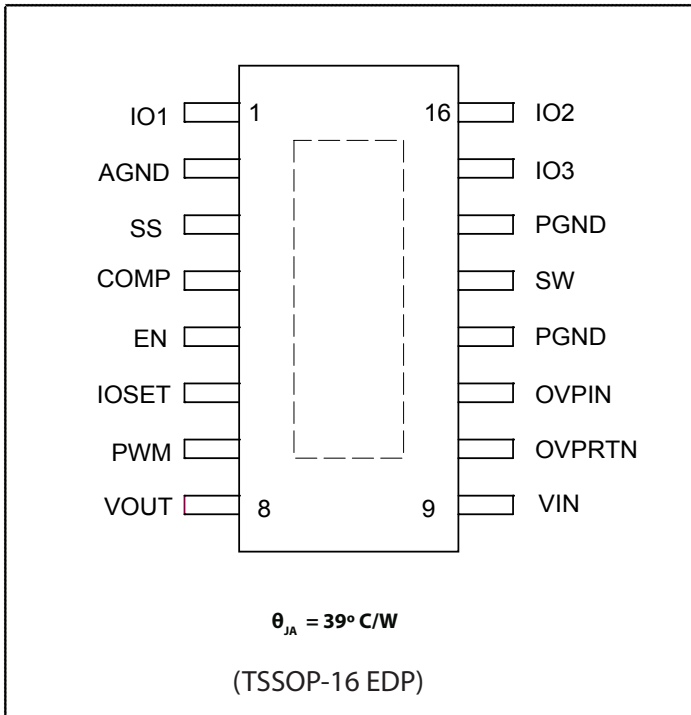
The SC446 also features comprehensive open and short-circuit LED protection functions. It disables the corresponding strings with LED open or LED short conditions while maintaining normal operation of other, unaffected LED strings. This feature allows LCD panels to remain viewable even under LED failure, wire disconnect, or short-circuit conditions. The internal thermal shutdown protects the IC from overheating at abnormal conditions.

The SC446 is available in a thermally-enhanced TSSOP-16 EDP package.

### Typical Application Circuit



### Pin Configuration



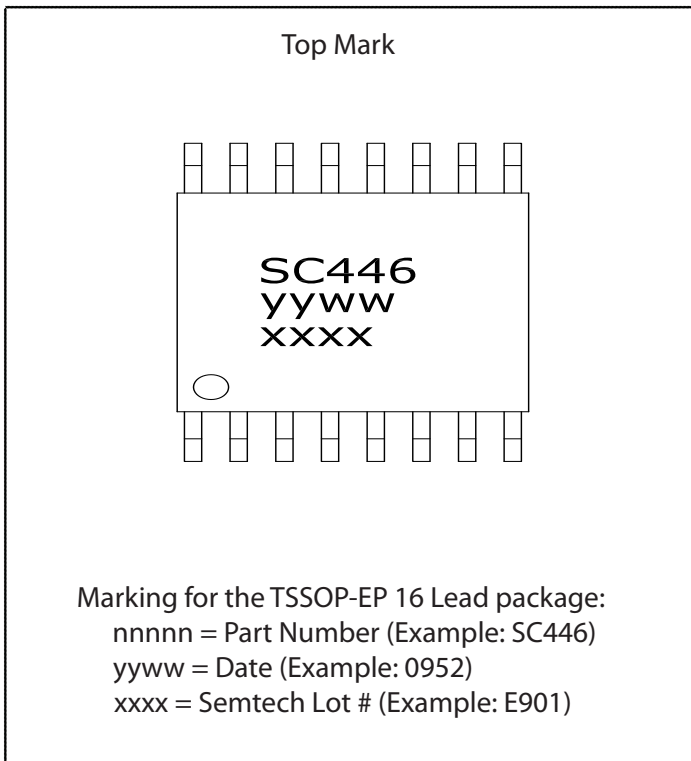
### Ordering Information

Device	Package
SC446TETRT <sup>(1,2)</sup>	TSSOP-16 EDP
SC446EVB	Evaluation Board

Notes:

- (1) Available in tape and reel only. A reel contains 2,500 devices.
- (2) Available in lead-free package only. This product is fully WEEE/RoHS compliant, Pb free and Halogen free.

### Marking Information



## Absolute Maximum Ratings

$V_{IN}$ Pin: Supply Voltage .....	-0.3 to 30V
Maximum Output Power .....	22W
SW, OVPIN, OVRPTN, VOUT, IO1~IO3 Voltage .....	-0.3 to 40V
IOSET Voltage .....	-0.3 to 2V
SS, COMP Voltage .....	-0.3 to 4V
EN, PWM, Voltage .....	-0.3 to $V_{IN} + 0.3V$
PGND to AGND .....	$\pm 0.3V$
Peak IR Reflow Temperature .....	260°C
ESD Protection Level <sup>(2)</sup> .....	3.5kV

## Recommended Operating Conditions

Input Voltage Range .....	4.5V~27V
Maximum Output Voltage .....	36V
Maximum LED Current .....	100mA

## Thermal Information

Junction to Ambient <sup>(1)</sup> .....	39°C/W
Maximum Junction Temperature .....	150°C
Storage Temperature .....	-65 to +150°C
Lead Temperature (Soldering) 10 sec .....	260°C

Exceeding the above specifications may result in permanent damage to the device or device malfunction. Operation outside of the parameters specified in the Electrical Characteristics section is not recommended.

### NOTES-

(1) Calculated from package in still air, mounted to 3" x 4.5", 4 layer FR4 PCB with thermal vias under the exposed pad per JESD51 standards.

(2) Tested according to JEDEC standard JESD22-A114-B.

## Electrical Characteristics

Unless otherwise specified:  $V_{IN} = 12V$ ,  $-40^{\circ}C < T_A = T_J < 105^{\circ}C$ ,  $R_{IOSET} = 2.61k\Omega$ .

Parameter	Symbol	Conditions	Min	Typ	Max	Units
<b>Input Supply</b>						
Under-Voltage Lockout Threshold	UVLO-TH	$V_{IN}$ rising		4.3	4.45	V
UVLO Hysteresis	UVLO-H			250		mV
$V_{IN}$ Quiescent Supply Current	$I_{IN\_Q}$	No switching		3		mA
$V_{IN}$ Supply Current in Shutdown	$I_{IN\_S}$	EN / PWM = low			1	$\mu A$
<b>Oscillator</b>						
Switching Frequency	$F_S$		0.56	0.7	0.84	MHz
<b>Internal Power Switcher</b>						
Switch Current Limit	$I_{SW}$		2.5	3.32		A
Switch Saturation Voltage	$V_{SAT}$	$I_{SW} = 1A$		200	350	mV
Switch Leakage Current	$I_{S\_LEAK}$			0.1	1	$\mu A$
Maximum Duty Cycle	$D_{MAX}$		88	93		%
Minimum Duty Cycle	$D_{MIN}$				0	%
Minimum On-Time <sup>(1)</sup>	$T_{ON\_MIN}$			100		ns
<b>Compensation</b>						
Sourcing Current	$I_{EA\_SOURCE}$	$V_{COMP} = 0.5V$		5		$\mu A$
Sinking Current	$I_{EA\_SINK}$	$V_{COMP} = 2V$		6		$\mu A$

**Electrical Characteristics (continued)**

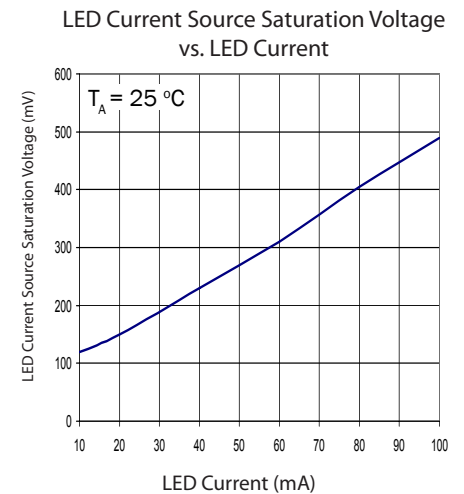
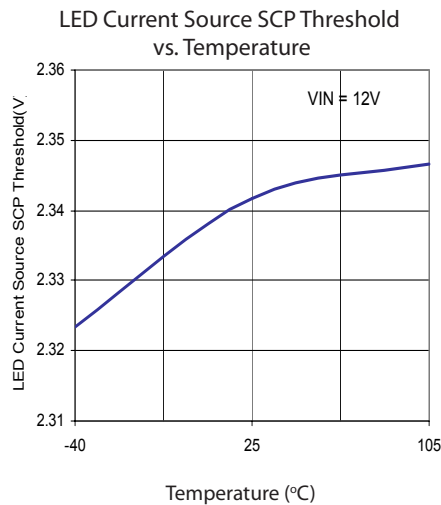
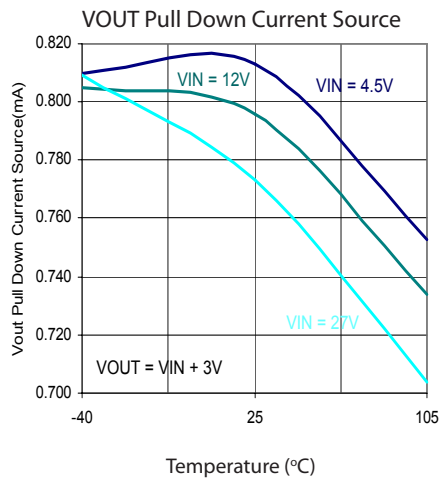
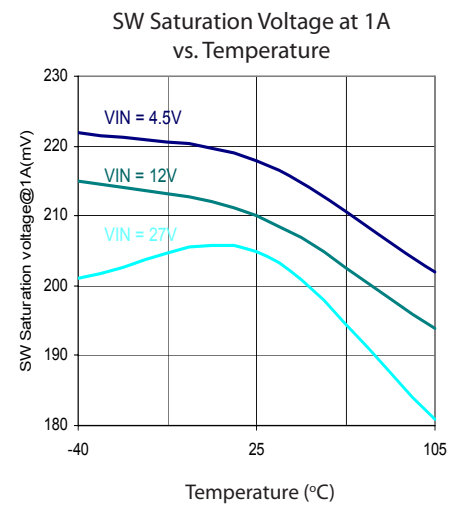
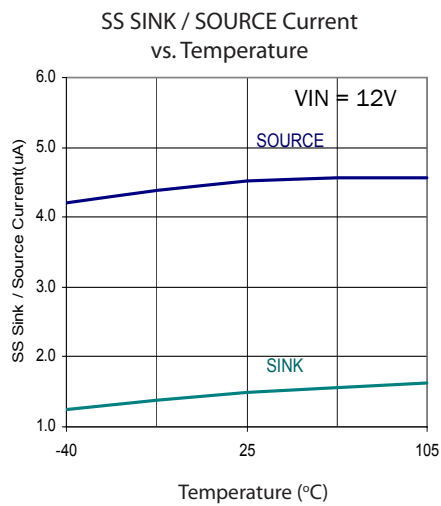
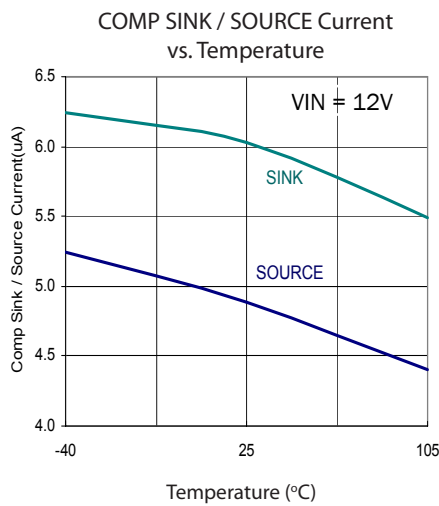
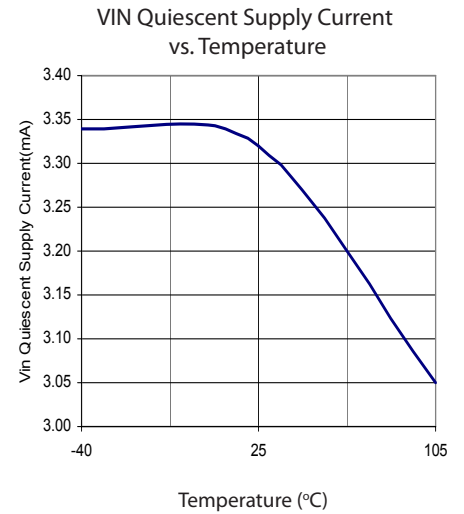
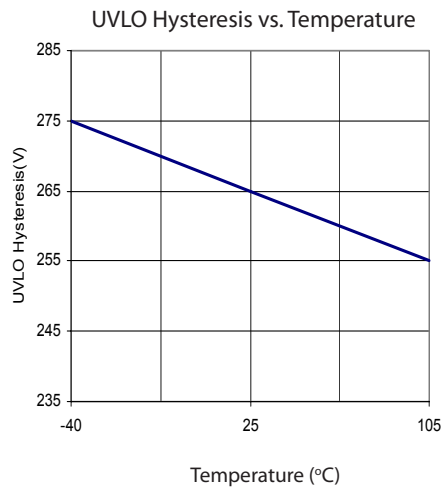
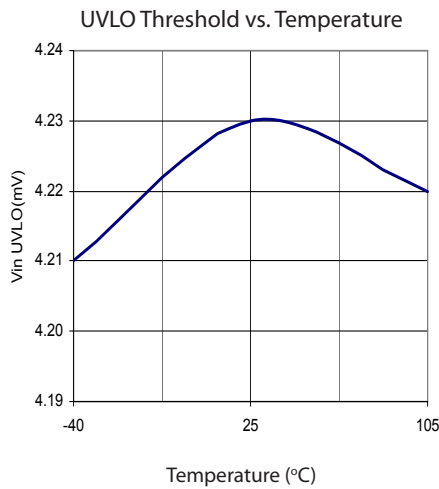
Parameter	Symbol	Conditions	Min	Typ	Max	Units
<b>Control Signals</b>						
EN, PWM High Voltage	$V_{EN\_H}, V_{PWM\_H}$		2			V
EN, PWM Low Voltage	$V_{EN\_L}, V_{PWM\_L}$				0.4	V
EN, PWM Leakage Current	$I_{EN}, I_{PWM}$	$V_{EN}, V_{PWM} = 5V$		0.1	1	$\mu A$
PWM Dimming Frequency <sup>(1)</sup>	$F_{Dimming}$		50		50k	Hz
PWM Dimming Minimum Duty Cycle	$D_{MIN\_Dimming}$	$F_{Dimming} = 200Hz$		0.2		%
PWM Dimming Minimum Pulse-Width <sup>(2)</sup>	$T_{MIN\_Dimming}$				5	$\mu s$
PWM Dimming Minimum Off Time	$T_{MIN\_Off}$			200	300	ns
FFLAG Voltage	$V_{FFLAG}$	$I_{FFLAG} = 2 mA$		0.25		V
SS Source Current	$I_{SS\_SOURCE}$	$V_{SS} = 0V$		4.5		$\mu A$
SS Sink Current	$I_{SS\_SINK}$	$V_{SS} = 2V$ at OVP or OTP		1		
SS Switching Threshold	$V_{SS\_Switching}$	$V_{IN} = 12V, T_J = 25^\circ C$	0.5	0.7	0.85	V
SS End Value	$V_{SS\_END}$	$V_{IN} = 12V$		2.5		V
<b>Over-Voltage Protection</b>						
OVPIN Threshold	$V_{OVPIN\_TH}$	OVPIN - AGND	1.43	1.52	1.58	V
OVPIN Leakage Current	$I_{OVPIN}$	$V_{OVPIN} = 20V$		0.1	1	$\mu A$
OVPRTN Saturation Voltage	$V_{OVPRTN}$	$I_{OVPRTN} = 100 \mu A$		60		mV
OVPRTN Leakage Current	$I_{OVPRTN}$	$V_{OVPRTN} = 20V$		0.1		$\mu A$
VOUT Internal Pull-down Current Source	$I_{OVP}$	$V_{OUT} = V_{IN} + 3V$		0.9		mA
VOUT Leakage Current	$I_{VOUT-Leak}$	$V_{OUT} = 40V$		0.1		$\mu A$
<b>Current Source (IO1 ~IO3)</b>						
Current Accuracy	$I_{O1} \sim I_{O3}$	$T_J = 25^\circ C$	93	100	107	mA
Current Matching		$T_J = 25^\circ C$		+/- 2	+/-3	%
Maximum LED Current	$I_{OMAX}$		150			mA
LED Short-Circuit Protection	$V_{IO\_SCP}$	$T_J = 25^\circ C, V_{IO1} \sim V_{IO3}$	2.2	2.35	2.55	V
Leakage Current	$I_{IO\_LEAK}$	$EN = 0, V_{IO1} \sim V_{IO3} = V_{IN}$		0.1	1	$\mu A$
Overshoot Protection Threshold	$V_{IO1} \sim V_{IO3}$	$T_J = 25^\circ C, V_{IO1} \sim V_{IO3}$	0.963	1.07	1.177	V
			0.9065	1.07	1.2305	V
Overshoot Protection Hysteresis	Any of $I_{O1} \sim I_{O3}$			100		mV
<b>Over-Temperature Protection</b>						
Thermal Shutdown Temperature	$T_{OTP}$			150		$^\circ C$
Thermal Shutdown Hysteresis	$T_{OTP\_H}$			30		$^\circ C$

Notes:

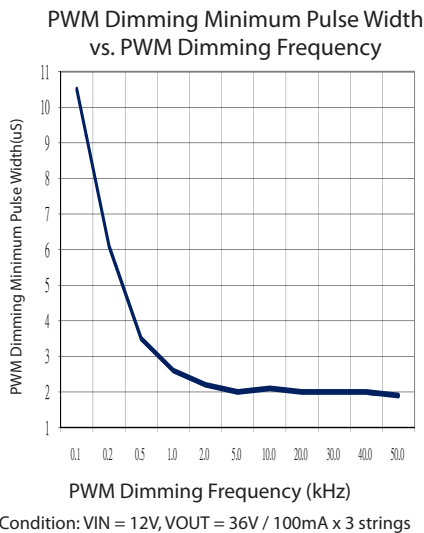
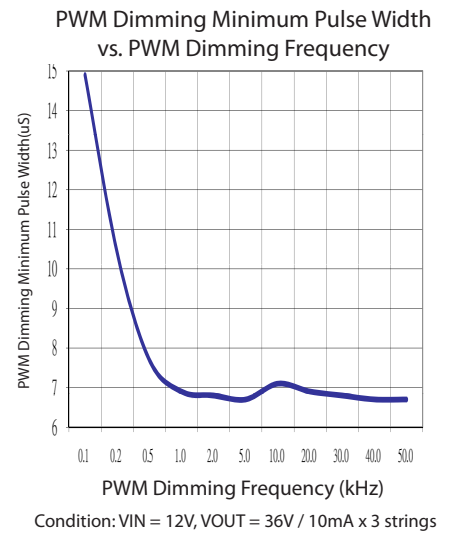
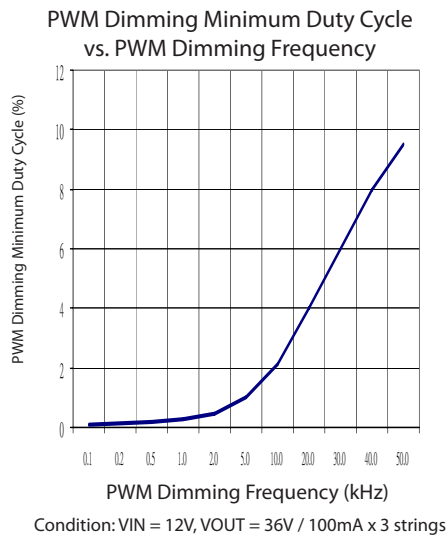
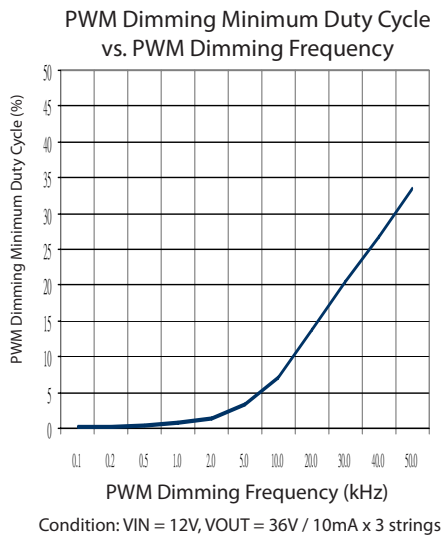
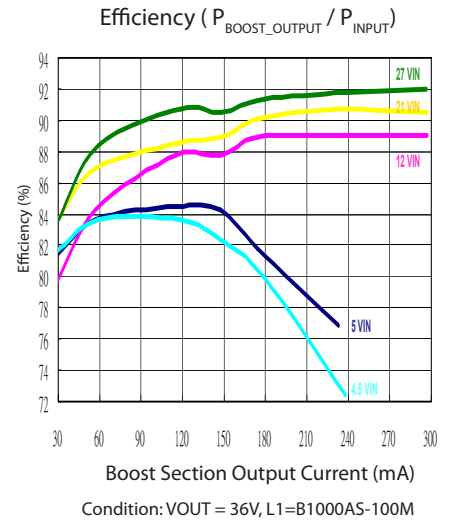
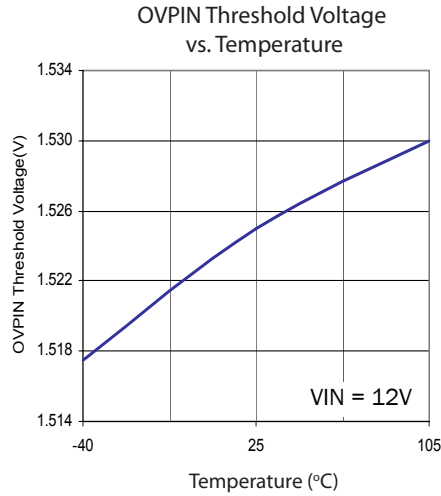
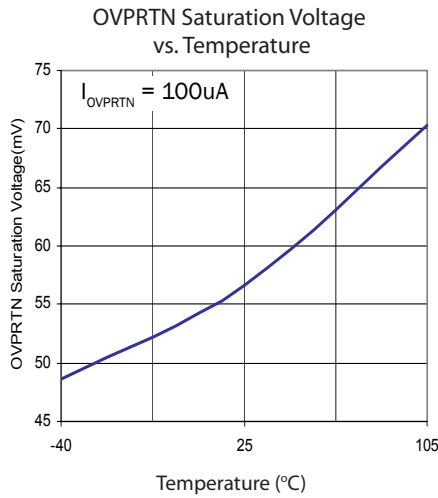
(1) Guaranteed by design.

(2) For achievable PWM dimming minimum pulse-width in applications, see the corresponding curves in Typical Characteristics.

## Typical Characteristics

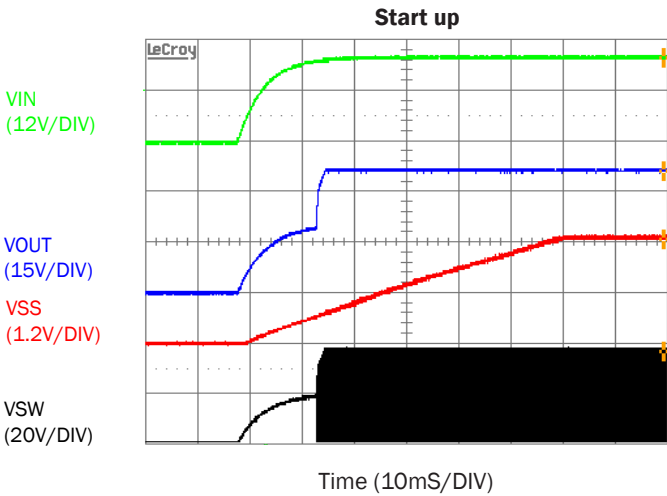


Typical Characteristics (continued)

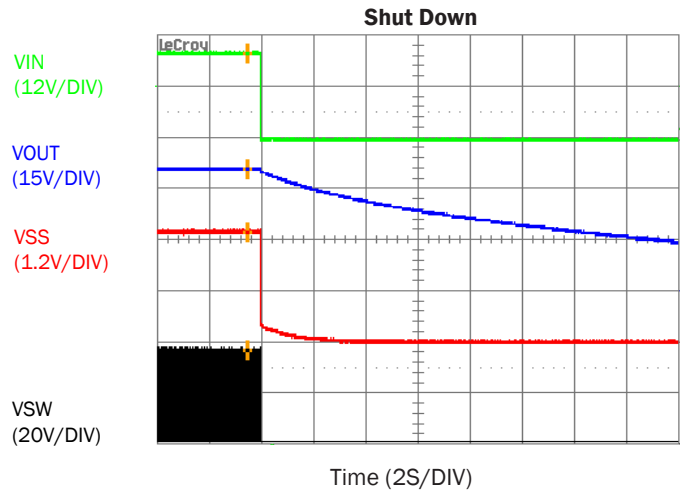




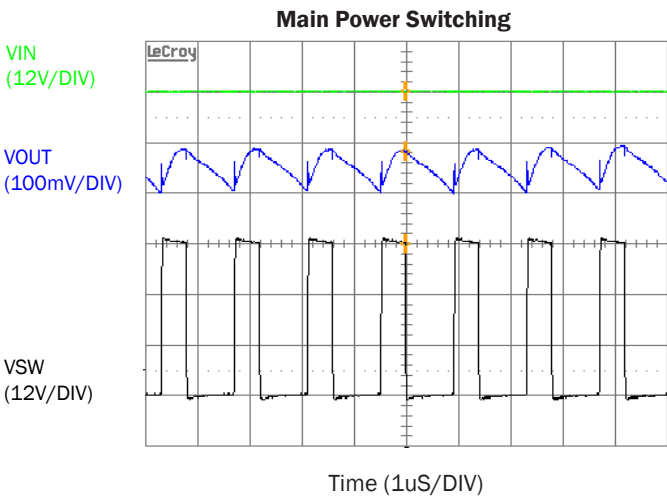
Typical Characteristics (continued)



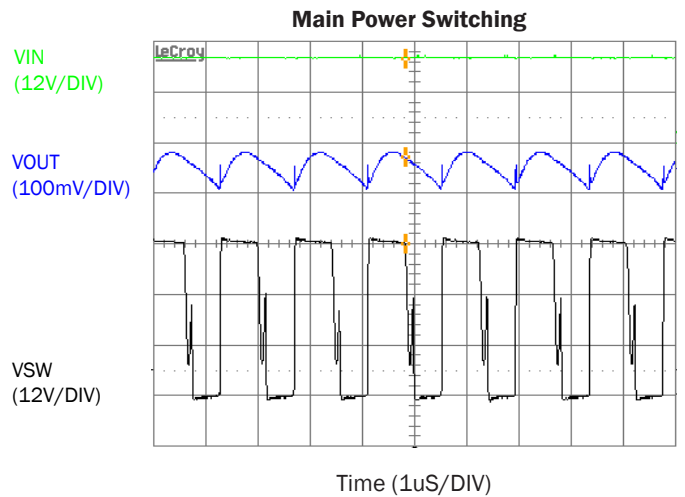
Conditions: 20Vin, 36Vout / 100mA x 3 LED strings



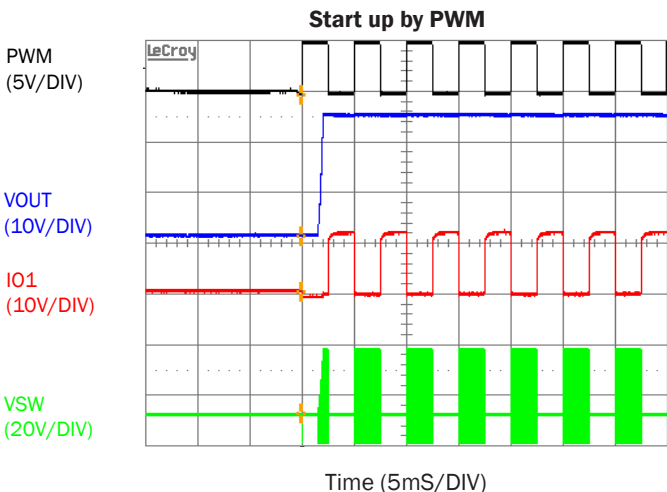
Conditions: 20V, 36Vout / 100mA x 3 LED strings



Conditions: 12Vin, 36Vout / 100mA x 3 LED strings



Conditions: 20Vin, 36Vout / 100mA x 3 LED strings

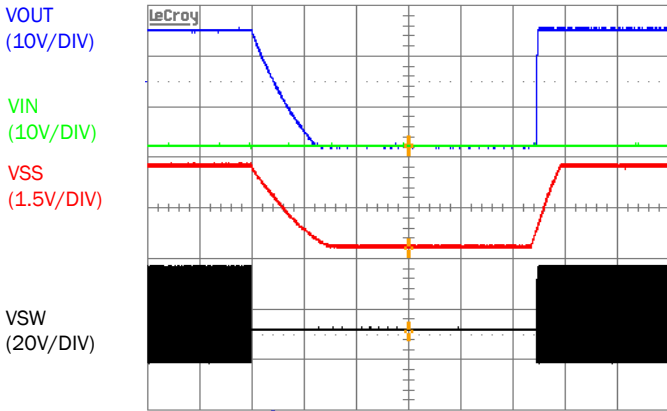


Conditions: 12Vin, 36Vout / 100mA x 3 LED strings, 200Hz PWM Dimming, 50% Duty Cycle



Typical Characteristics (continued)

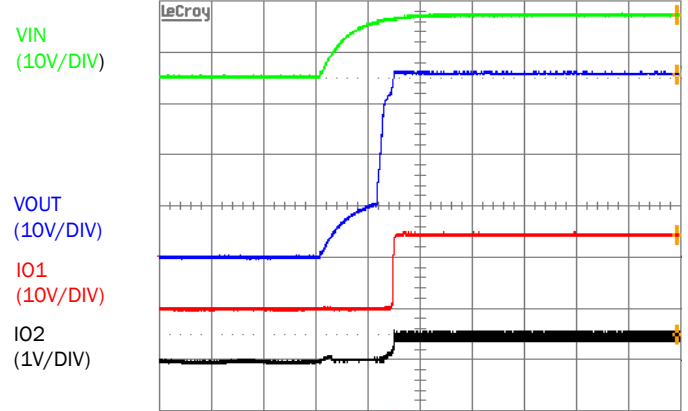
Over Temperature Protection



Time (100mS/DIV)

Conditions: 12Vin, 36Vout / 100mA x 3 LED strings

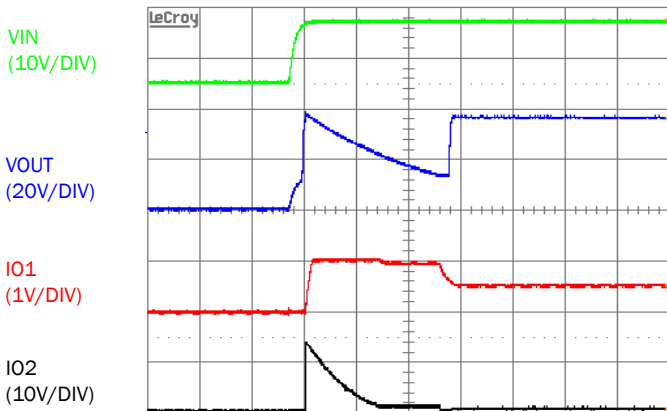
LED Short Circuit Protection



Time (10mS/DIV)

Conditions: 12V, 36Vout / 100mA x 3 LED strings, IO1 has one LED short circuit

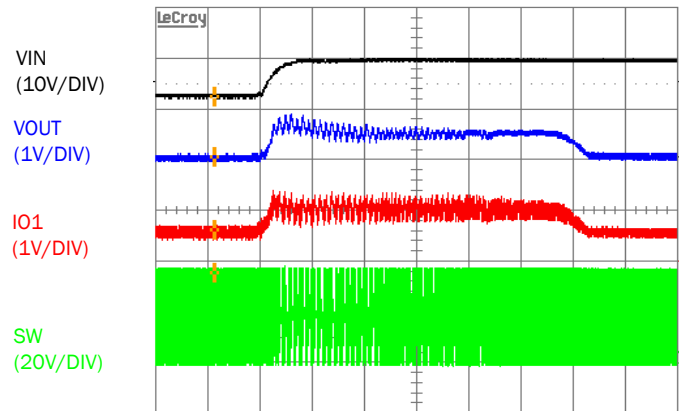
LED Open Circuit Protection



Time (50mS/DIV)

Conditions: 12Vin, 36Vout / 100mA x 3 LED strings, IO1 LED String is open circuit

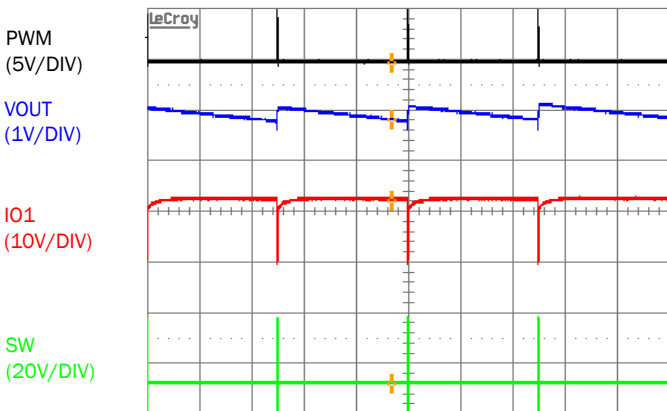
Adaptor Plug-in



Time (50uS/DIV)

Conditions: 12Vin to 19Vin, 36Vout / 100mA x 3 LED strings

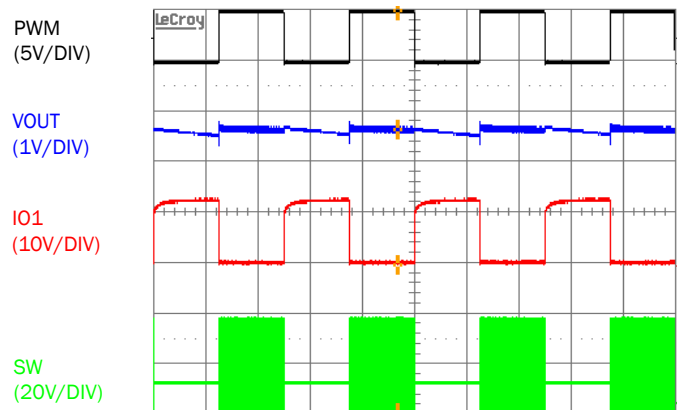
PWM Dimming



Time (5mS/DIV)

Conditions: 12Vin, 36Vout / 100mA x 3 LED strings, 200Hz PWM Dimming, 0.2% Duty Cycle

PWM Dimming



Time (5mS/DIV)

Conditions: 12Vin, 36Vout / 100mA x 3 LED strings, 200Hz PWM Dimming, 50% Duty Cycle



## Pin Descriptions

Pin #	Pin Name	Pin Function
1	IO1	Provides constant current source to LED string 1.
2	AGND	Analog ground.
3	SS	Soft-start pin.
4	COMP	The output of the internal trans-conductance error amplifier.
5	EN	Enable the device including regulator and LED drivers.
6	IOSET	Current source IO value set pin. By selecting the resistor connected from this pin to GND, the corresponding maximum current on all 4 strings are set.
7	PWM	PWM dimming control pin for LED strings.
8	VOUT	Internal pull down current source in over voltage fault. Connect this pin directly to Boost output.
9	VIN	Power input voltage pin. Bypassed with capacitors close to the pin.
10	OVPRTN	Over-Voltage Protection sense signal return path pin.
11	OVPIN	Over-Voltage Protection sense signal input.
12	PGND	Power ground.
13	SW	Collector of the internal power switch.
14	PGND	Power ground.
15	IO3	Provides constant current source to LED string 3. Connect to VIN for 2 strings operation.
16	IO2	Provides constant current source to LED string 2.
EDP		Solder to the ground plane of the PCB.

Note: Any unused IO pin should be pulled up to VIN.

EN	STATUS
0	backlight disable
1	backlight enable

Note: When EN = 0; the boost is turned OFF and disabled.

Block Diagram

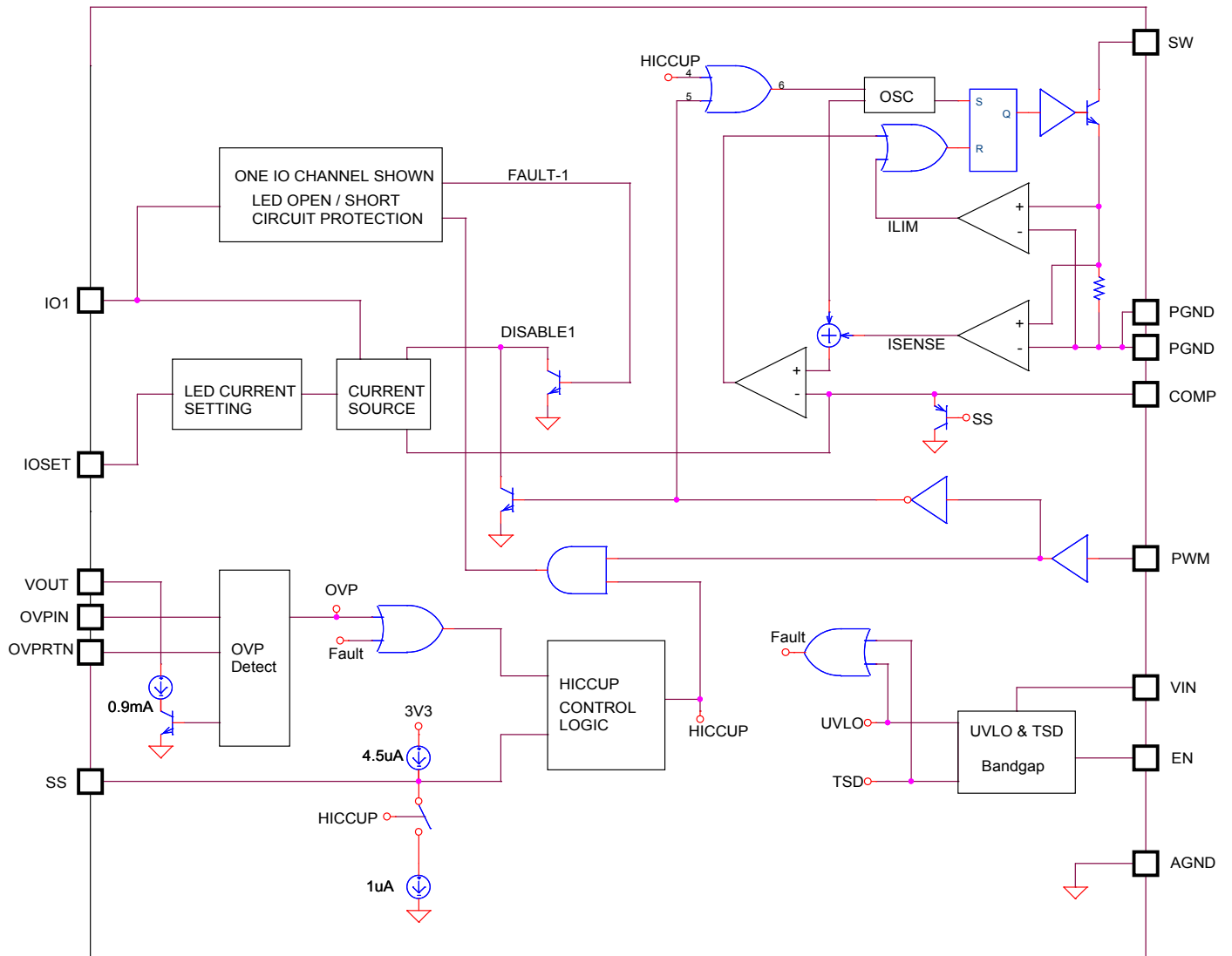


Figure 1. SC446 Block Diagram



## Applications Information

### SC446 Detailed Description

The SC446 contains a high frequency, current-mode boost regulator and four programmable current sources. The LED current source value is set using an external resistor while the PWM controller maintains the output voltage at a level keeping the current regulated through the LEDs. Since the SC446 receives feedback from all of the LED current sources, all LED strings can be turned on at any given time. A typical application would use 3-10 backlight LEDs for each string, driven up to 100mA.

### Operation

The SC446 controls the boost converter set point based on instantaneous requirements of four current sources. Therefore, only a single inductor and power switch is needed to provide power to the entire lighting subsystem, increasing efficiency and reducing part count. A digital interface to output control is high-bandwidth, supporting digital PWM dimming at 50Hz to 50kHz dimming frequency, while aggressively shutting the entire supply current down to 3mA (typical), when all LED strings are turned off.

High frequency switching provides high output power using a tiny 1.0mm high inductor, maximizing efficiency for space-constrained and cost-sensitive applications. Additionally, both converter and output capacitor are protected from open-LED conditions by over-voltage protection.

### LED Current Programming

The SC446 features programmable LED current regulators. The LED current set points are chosen using external resistors tied to the IOSET pin. The relationship between the programming resistor value and the output current set point can be described as follows:

$$R_{IOSET} = (0.261V) / I_{LED}$$

Where  $R_{IOSET}$  is in k $\Omega$ .  $I_{LED}$  is the LED current in Amperes. The four output channels have the same output current.

### Start-Up

During start-up, when the VIN pin voltage reaches its UVLO threshold and both the EN and PWM signals are set to high, the SS pin begins to source 4.5 $\mu$ A as its voltage begins to rise from 0V to its end value of 2.6V. The output voltage of the internal trans-conductance error amplifier (COMP), increases and clamps to the SS pin voltage. When the SS pin voltage reaches its switching threshold, output

voltage increases. Proper decoupling is required on the VIN pin, especially for a lower input voltage condition. A 22 $\mu$ F, 6.3V rated X5R ceramic capacitor is recommended for a 5V input system.

The internal LED current source (IO1 ~ IO3) helps to regulate the LED current to its set point while the output voltage increases; a suitable amount of error information will be generated on the internal error amplifier. The COMP pin voltage keeps rising and once the LED current reaches its set point, the error information will not be generated by the LED current source. The COMP pin voltage stays level while keeping the LED current in its set point.

If the EN pin voltage is pulled below 0.4V, the SC446 will stay in shutdown mode drawing less than 1 $\mu$ A from its input power supply.

During the normal operation, when PWM pin is pulled below 0.4V, the device operates in standby mode, drawing 3mA (typical) current from the input. Under this condition, since the EN pin is pulled high, soft-start is initiated and the SS pin voltage is raised to its end value. Following this, when the PWM signal goes high to enable the SC446, the COMP pin voltage will rise quickly since it is not limited by the SS pin. A proper capacitance (10nF ~ 100nF) is required to prevent output voltage overshoot on the COMP pin and its external RC network.

### Shut Down

If the VIN pin voltage falls below its UVLO, or the voltage on the EN pin goes low, the device will run in shutdown mode as the internal switch and the LED current sources will immediately turn off. The SS capacitor is discharged by the internal current source of the SS pin. The SS pin voltage decreases to 0V while the output voltage falls to the same level as the input voltage.

If the PWM pin voltage goes low while SC446 is in normal operation, then the SC446 will run in standby mode. The Internal switcher and the LED current source will immediately turn off.

#### NOTE-

The PWM signal does not affect the SS pin nor its final value.

### Main Power Operation

SC446 is a 700kHz fixed-frequency, peak current-mode step-up switching regulator with an integrated 2.5A (minimum) power transistor.

## Applications Information (continued)

Referring to the Block Diagram, Figure 1, the clock from the oscillation section resets the latch and turns on the power transistor. Switch current is sensed with an integrated sense resistor. The sensed current is summed with the slope-compensating ramp and fed into the modulating ramp input of the PWM comparator. The latch is set and the power transistor conduction is terminated when the modulating ramp intersects with the error amplifier output (COMP).

The current-mode switching regulator is a dual-loop feedback control system. In the inner current loop, the EA output (COMP) controls the peak inductor current. In the outer loop, the error amplifier regulates the output voltage to keep the LED current at setting point. The double reactive poles of the output LC filter are reduced to a single real pole by the inner current loop, allowing the simple loop compensation network to accommodate a wide range of input and output voltages.

It is well known that, in Boost converter,  $V_o$  is greater than or equal to  $V_{in}$ . In normal continuous conduction mode (CCM) operation,

$$\frac{V_o}{V_{in}} = \frac{1}{1-D}$$

Where, D is the duty ratio of the PWM power switch. As  $V_{in}$  increases, in order to regulate  $V_o$  to a given constant value, D decreases. When  $V_{in}$  approaches  $V_o$ , D surely leads to 0. In practice, due to the minimum on-time of the PWM power switch, D usually could not approach 0 with infinitely small granularity. At some point, it either produces one pulse with minimum on-time or generates 0 by skipping the pulse. Such point could be theoretically calculated for SC446 as follows.

For CCM:  $V_{in} \geq 0.92 V_o$ .

For DCM (Discontinuous conduction mode):

$$V_{in} \geq \frac{2}{1 + \sqrt{1 + 1.6 * 10^{-2} * \frac{R_o}{L}}} V_o$$

Where,  $R_o$  is the Boost equivalent output resistance ( $=V_o/I_o$ ), L is the Boost inductor (in  $\mu H$ ).

In many Boost converter designs and operations, pulse skipping is normally allowed at light load conditions. Some designers even purposely let the Boost power converter enter the pulse skipping in order to save power at light load conditions. If some designers do not want pulse skipping mode, based on the conditions provided above,

there are some choices.

- 1) Leave some room between  $V_{in}$  range and  $V_o$ .
- 2) Operate the Boost converter at normal load (less  $R_o$ )
- 3) Increases the Boost inductance (L).

### Over-Current Protection

SC446 provides cycle-by-cycle current limiting for its internal switch. If the switch current exceeds 3.32A (the typical current-limit trip point), then the current-limit comparator ILIM, will set the latch immediately turning off internal power. All LED current sources keep operating in an over-current condition. Due to separate pulse-width modulating and current limiting paths, the OCP trip point is not affected by slope compensation (i.e. trip point is not affected by switching duty cycle).

### Over-Voltage Protection (OVP)

SC446 includes an external programming over-voltage protection circuit to prevent damage to the IC and output capacitor in the event of an open-circuit condition. The boost converter's output voltage is detected at the OVPIN pin. If the voltage at the OVPIN pin exceeds 1.52V (typical), the boost converter will shut down and a 0.9mA pull-down current will be applied to the VOUT pin to quickly discharge the output capacitor. This added protection prevents a condition where the output capacitor and Schottky diode must endure high voltage for an extended time, which can pose a reliability risk for the user's system.

Refer to evaluation application circuit in page15. The output over voltage trip point can be programmed by R5 and R7 resistor divider.

The relationship can be described as follows:

$$OVP\_trip = OV_{PIN\_TH} \times \frac{R_5 + R_7}{R_7}$$

Where  $OV_{PIN\_TH}$  is 1.52V typical.

An OVP event causing a fault could disable the boost converter enabling the device to a strong pull-down. This event would cause the soft-start capacitor to discharge. When the soft-start capacitor voltage falls below 0.5V, and the output voltage falls to  $V_{IN}$ , SC446 enters a soft-start process.

The OVP detection circuitry provides a disconnect function during the shutdown state to prevent any leakage from the output. The external OVP resistor divider should be connected between VOUT and OVPRTN with the central

## Applications Information (continued)

tap connected to OV PIN.

Note: If this disconnect function is not desired, bypass the OVPRTN pin and connect the end of the OVP resistor divider directly to GND. The OV PIN pin is sensitive to noise, and a proper decoupling capacitor (1nF ~ 10nF) is required. The combined impedance of the resistor divider for OV PIN should be greater than 200kΩ.

### LED Short-Circuit Protection

If one or more LEDs are detected as short-circuit, that string will be latched off. Voltage is monitored if it exceeds 2.35V on the internal LED current source (IO pins). (The IO voltage on an abnormal LED string will rise earlier than other normal LED strings). If the voltage exceeds 2.35V on any IO pin, the IO current source will latch off. The latch is reset if VIN falls below UVLO or it will recycle the EN signal. Other LED strings operate normally.

### LED Open-Circuit Protection

If any LED string is detected as an open-circuit, that string will latch off. If any given string is open, the IO current source will go to deep saturation; the COMP pins will be driven high and the boost converter duty cycle will increase causing VOUT to rise. At some point VOUT will rise high enough to cause all the IO pin voltages of the intact strings to reach the shorted LED detection level and latch off those strings. Because of the LED open string VOUT will continue to rise until it reaches the programmed OVP level.

When OVP is reached, the voltage on the IO pins are monitored and if any IO voltage is less than 0.2V that string will be identified as open and will latch off.

Only when VIN falls below UVLO, or an EN signal is recycled, and if thermal shutdown occurs, can this latch be reset. A hiccup cycle is then initiated and the SS pin is discharged slowly with a 1μA current source and a 0.9mA discharge path (turned on to pull down VOUT). When SS falls below 0.5V and VOUT falls below to VIN, the shorted LED detection latches are reset and a new soft-start sequence is initiated to resume normal operation.

### Thermal Shutdown (TSD)

If the thermal shutdown temperature of 150°C is reached, a hiccup sequence is initiated where the boost converter and all IO current sources are turned off. SS is discharged by a 1μA current source, and a 0.9mA discharge path is turned on to pull down VOUT. As temperature falls below

the TSD trip point, SC446 will retry when SS falls below 0.5V and VOUT falls to VIN.

### PWM Dimming

The PWM input needs to be held high for normal operation. PWM dimming can be done by cycling the PWM input at a given frequency where a “low” on the PWM input turns off all IO current sources and a “high” turns on all IO current sources. The short and open detection latches are blanked for approximately 2μs as the PWM input transitions from low-to-high to prevent a false fault detection during PWM dimming.

The PWM pin can be toggled by external circuitry to allow PWM dimming. In a typical application, a microcontroller sets a register – or counter, that varies the pulse-width on a GPIO pin. The SC446 allows dimming over two decades in frequency (50Hz–50kHz), in order to allow compatibility with a wide range of devices, including the newest dimming strategies that avoid the audio band by using high frequency PWM dimming. In this manner, a wide range of illumination can be generated while keeping the instantaneous LED current at its peak value for luminescent efficiency and color purity. Furthermore, advanced lighting effects such as backlight dim-on can be implemented as the SC446 can resolve 10μs (minimum), PWM dimming pulse-width.

As far as the maximum PWM dimming pulse-width, it depends on the PWM dimming frequency. Clearly, it is trivial to get 100% LED brightness by pulling PWM pin “High” constantly. When the user tries to dim the LED brightness using PWM signal from 100% down, he or she needs to observe the following. When the PWM dimming signal is actively switching from “High” to “Low” and to “High”, there is a minimal OFF time ( $T_{off\_min}$ , 200ns, guaranteed by design) requirement of the PWM dimming signal with this IC. Such minimal OFF time sets the maximum PWM duty ratio before hitting to 100% in the following way.

$$D_{max} = 1 - \frac{T_{off\_min}}{f_{PWM}}$$

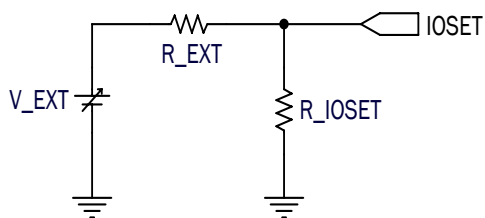
For example, if the PWM dimming frequency  $f_{PWM}=200\text{Hz}$ , the  $D_{max}=99.996\%$ . If  $f_{PWM}=25\text{kHz}$ , the  $D_{max}=99.5\%$ . With most practical dimming interfaces, the needed dimming steps and resolutions, it is uncommon to run into the above  $D_{max}$  before reaching 100%. While most applications will not run into  $D_{max}$ , the designer should be aware of possible parasitic

## Applications Information (continued)

elements from PWM dimming interface to the PWM pin of SC446. Usually, simply checking signal D\_max at PWM pin of SC446 is sufficient.

### Linear Dimming

The linear dimming control is available for SC446 by applying an external control voltage on IOSET pin through an external resistor-like circuit (shown below). External environment brightness compensation can also be achieved when the control voltage is generated by a light sensor circuit.



The IOSET voltage is 0.5V when linear dimming is used and the minimum IOSET current must be higher than 27μA (i.e. 15mA per LED string). The external control voltage slew rate must slow at 1V/10ms.

### LED Strings Connection

Generally, LED strings are connected to IO1 ~ IO3 pins through a mechanical connector which, generally, cannot support an electrical connection thereby resulting in significant noise. Consequently, the SC446 LED short-circuit protection may false trip when the noise level is large. Certain ceramic decoupling capacitor on pins IO1 ~ IO3 to GND are useful to prevent the SC446 from noise influence.

As a general guideline, the decoupling capacitance should be limited as follows.

$$C_{dcple} < I_{LED} * \frac{0.6\mu S}{V_o}$$

Where, I\_LED is the LED current per string, V\_o is the Boost output voltage and C\_dcple is the suggested decoupling capacitor value.

For example, if I\_LED=10mA, V\_o=13.5V, the calculated upper bound of C\_dcple is about 444pF. One could use 390pF or less in the circuit. If I\_LED=100mA, V\_o=13.5V, the calculated upper bound of C\_dcple is about 4.44nF. One may use 3.9nF or less in the circuit. In some applications, circuit designers tend to select the decoupling capacitors in the range of (100pF ~ 1nF).

For some low LED current (e.g. 10mA) applications, it is recommended to add 1M-10Mohm resistor from IO pin to GND in order to reduce IO pin voltage during PWM dimming.

### Parallel Operation

When two or more SC446s are operating in parallel for a large-sized panel application, audible noise may be observed due to non-synchronous switching frequency. The ripple voltage on the input voltage rail will be modulated by the beat frequency resulting in audible noise. This situation can be resolved by adding an input inductor between input voltage rail and the SC446 VIN pin. This situation can also be improved by adding more input decoupling capacitors.

### Inductor Selection

The inductance value of the inductor affects the converter's steady state operation, transient response, and its loop stability. Special attention needs to be paid to three specifications of the inductor, its value, its DC resistance and saturation current. The inductor's inductance value also determines the inductor ripple current. The converter can operate in either CCM or DCM depending on its working conditions. The inductor DC current or input current can be calculated as,

$$I_{IN} = \frac{V_{OUT} \cdot I_{OUT}}{V_{IN} \cdot \eta}$$

I\_IN - Input current;

I\_OUT - Output current;

V\_OUT - Boost output voltage;

V\_IN - Input voltage;

η - Efficiency of the boost converter.

Then the duty ratio is,

$$D = \frac{V_{OUT} - V_{IN} + V_D}{V_{OUT} + V_D}$$

V\_D - Forward conduction drop of the output rectifying diode

When the boost converter runs in DCM ( $L < L_{boundary}$ ), it takes the advantages of small inductance and quick transient response while avoiding the bandwidth limiting instability of the RHP zero found in CCM boost converters.

## Applications Information (continued)

The inductor peak current is,

$$I_{L-peak} = \frac{V_{IN} \cdot D}{F_S \cdot L}$$

The converter will work in CCM if  $L > L_{boundary}$ . Generally the converter has higher efficiency under CCM and the inductor peak current is,

$$I_{L-peak} = I_{IN} + \frac{V_{IN} \cdot D}{2 \cdot F_S \cdot L}$$

For many applications, an inductor with value of 4.7μH to 22μH should be fine, such as for the typical case shown on page 1. The inductor peak current must be less than its saturation rating. When the inductor current is close to the saturation level, its inductance can decrease 20% to 35% from the 0A value depending on the vendor specifications. Using a small value inductor forces the converter under DCM in which case the inductor current ramps down to zero before the end of each switching cycle. It reduces the boost converter's maximum output current, and produces large input voltage ripple. An inductor with larger inductance will reduce the bandwidth of the feedback loop, possibly higher DC resistance (DCR). Inductor's DCR plays a significant role for the total efficiency since the power transistor is integrated inside the SC446. Of course, there is a trade-off between the DCR and inductor size. Table 2 lists recommended inductors and their vendors.

**Table 2. Recommended Inductors**

Inductor	Website
DR74, 4.7μH ~ 15μH	www.cooperet.com
IHLP-2525CZ-01, 4.7μ ~ 10μH	www.vishay.com
DS85LC, 6.8μH ~ 10μH	www.tokoam.com

### Output Capacitor Selection

The next task in SC446 design is targeting the proper amount of ripple voltage due to the constant-current LED loads. The two error amplifiers that control the PWM converter sense the delta between requested current and actual current in each output current regulator. On a cycle-by-cycle basis, a small amount of output ripple ensures good sensing and tight regulation, while the output current regulators keep each LED current at a fixed value. Overall, this allows usage of small output caps while ensuring precision LED current regulation. Although

the mechanics of regulation and frequency dependence may be complex, actual selection of output capacitor can be simplified because this capacitor is mainly selected for the output ripple of the converter. Assume a ceramic capacitor is used. The minimum capacitance needed for a given ripple can be estimated by,

$$C_{OUT} = \frac{(V_{OUT} - V_{IN}) \cdot I_{OUT}}{V_{OUT} \cdot F_S \cdot V_{RIPPLE}}$$

$V_{RIPPLE}$  – Peak to peak output ripple;

$I_{OUT}$  – Output current;

$V_{OUT}$  – Boost output voltage;

$V_{IN}$  – Input voltage;

$F_S$  – Switching frequency.

During load transient, the output capacitor supplies or absorbs additional current before the inductor current reaches its steady state value. Larger capacitance helps with the overshoot and undershoots during load transient, and loop stability. Recommended ceramic capacitor manufacturers are listed in Table 3.

**Table 3. Recommended Ceramic Capacitor Manufacturers**

Vendor	Phone	Website
Kemet	408-986-0424	www.kemet.com
Murata	814-237-1431	www.murata.com
Taiyo Yuden	408-573-4150	www.t-yuden.com

### Output Rectifying Diode Selection

Schottky diodes are the ideal choice for SC446 due to their low forward voltage drop and fast switching speed. Table 4 shows several different Schottky diodes that work well with the SC446. Make sure that the diode has a voltage rating greater than the possible maximum output voltage. The diode conducts current only when the power switch is turned off. A diode of 2A will be sufficient for most designs.

**Table 4. Recommended Rectifying Diodes**

Part	Vendor
SS23 SS24	Vishay www.vishay.com

## Applications Information (continued)

### Layout Guidelines

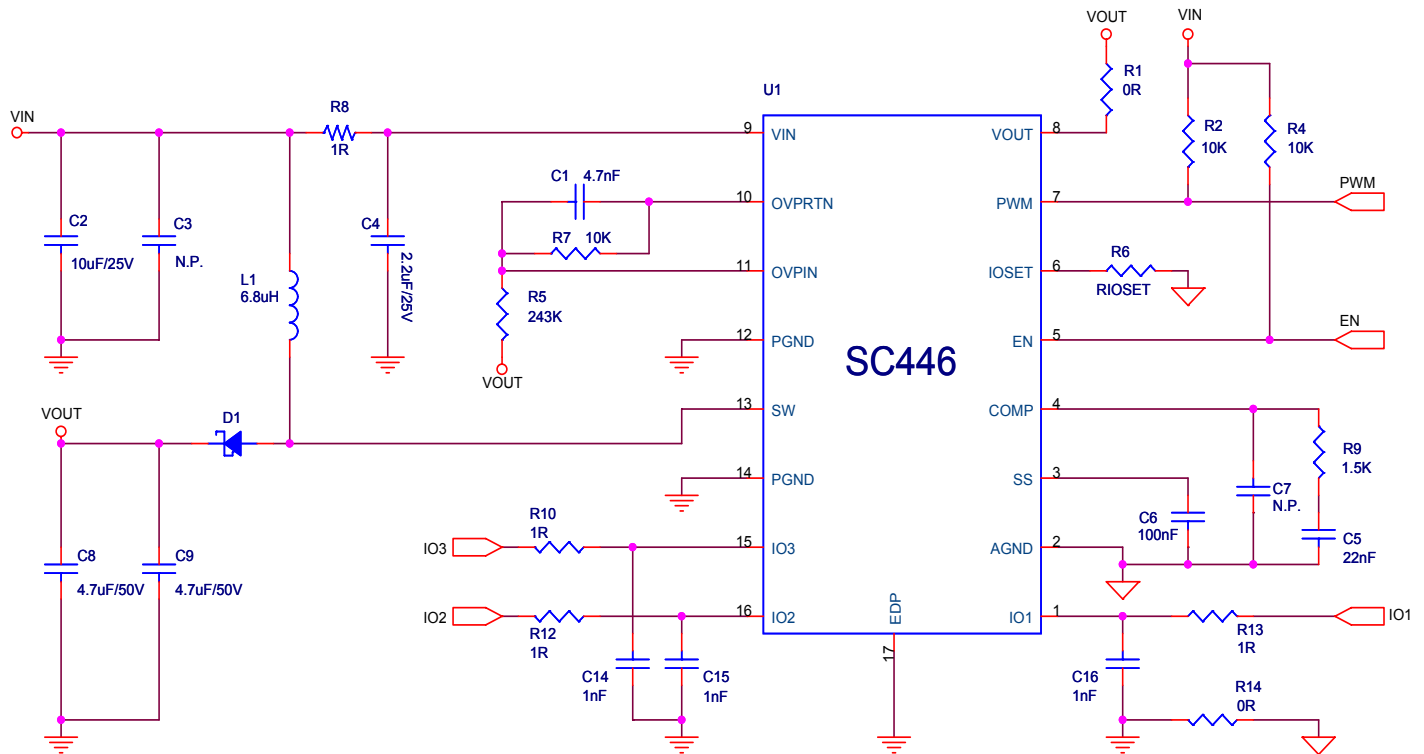
The SC446 contains a boost converter and the placements of the power components outside the SC446 should follow the layout guidelines of a general boost converter. The evaluation application circuit on page 17 will be used as an example. C2 and C3 are input decoupling capacitor for SC446 VIN pin and main power input. C2,C3 should be placed as close as possible to the VIN pin to achieve the best decoupling performance.

To minimize the switching noise, The switching loop formed by input decoupling capacitors, internal switch, output Schottky diode and output capacitors must be minimized. The LED current programming resistor(R6), compensation network (R9,C5,C7) and soft start capacitor (C6) should be placed as close as possible to SC446. The C14~C17 are decoupling capacitors for LED current source which prevent IO pins from noise influence. C14~C17 should be placed close to each corresponding IO pin.

Use an isolated local AGND plane underneath the controller and tie it to the negative side of output capacitor through R14 for better noise immunity.



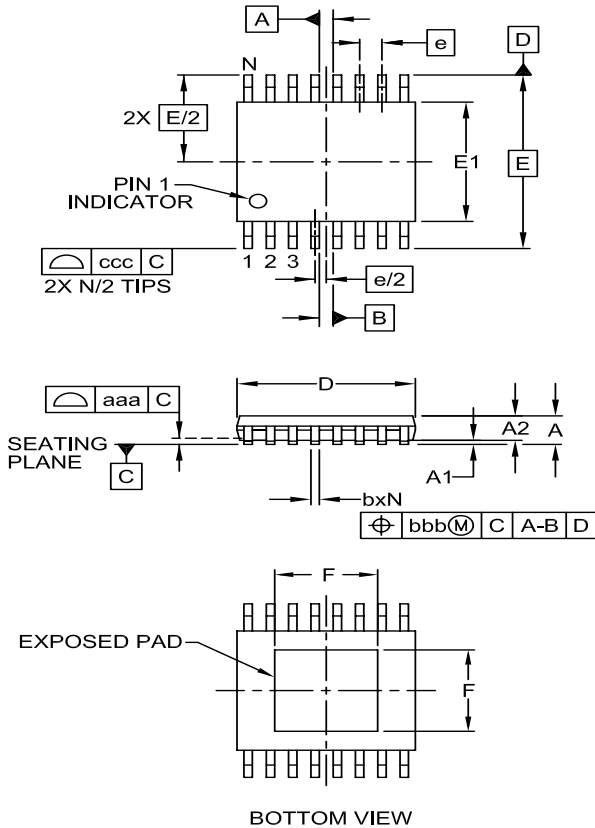
## Evaluation Application Circuit



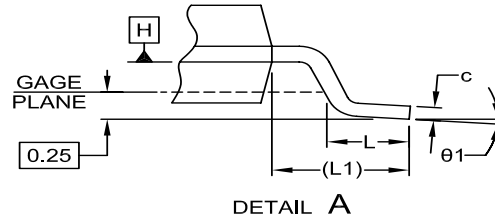
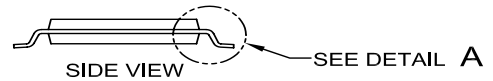
## Evaluation Board Bill of Materials

Item	Reference	Quantity	Description	Package	Part	Vendor
1	C1	1	25V ceramic capacitor, X7R	SM_0603	4.7nF	Panasonic
2	C14, C15, C16	3	50V ceramic capacitor, X7R	SM_0603	1nF	Panasonic
3	C2	1	25V ceramic capacitor, X5R	SM_1206	10uF	Panasonic
4	C8, C9	2	50V ceramic capacitor, X5R	SM_1206	4.7uF	Panasonic
5	C4	1	25V ceramic capacitor, X5R	SM_0805	2.2uF	Panasonic
6	C5	1	6.3V ceramic capacitor, X7R	SM_0603	22nF	Panasonic
7	C6	1	6.3V ceramic capacitor, X7R	SM_0603	100nF	Panasonic
8	D1	1	60V, 2A Schottky diode	SMA	B260A	Diodes or Any
9	L1	1	6.8uH, 3.67A	DR74	6.8uH	Copper or Any
10	R1, R14	2	1% SMD resistor	SM_0603	0R	Any
11	R2, R3, R4, R7	4	5% SMD resistor	SM_0603	10K	Any
12	R5	1	1% SMD resistor	SM_0603	243K	Any
13	R6	1	1% SMD resistor	SM_0603	RIOSET	Any
14	R9	1	5% SMD resistor	SM_0603	1.5K	Any
15	R8, R10, R12, R13	4	5% SMD resistor	SM_0603	1R	Any
16	U1	1	Controller	EDP TSSOP-16	SC446	SEMTECH

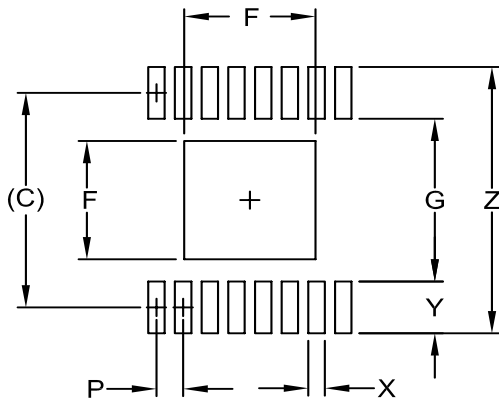
Outline Drawing - TSSOP-16 EDP



DIM	INCHES			MILLIMETERS		
	MIN	NOM	MAX	MIN	NOM	MAX
A	-	-	.047	-	-	1.20
A1	.001	-	.006	0.025	-	0.15
A2	.031	-	.041	0.80	-	1.05
b	.007	-	.012	0.19	-	0.30
c	.004	-	.008	0.09	-	0.20
D	.193	.197	.201	4.90	5.00	5.10
E1	.169	.173	.177	4.30	4.40	4.50
E	.252 BSC			6.40 BSC		
e	.0256 BSC			0.65 BSC		
F	.112	.118	.122	2.85	3.00	3.10
L	.018	.024	.030	0.45	0.60	0.75
L1	(.039)			(1.0)		
N	16			16		
theta1	0°	-	8°	0°	-	8°
aaa	.004			0.10		
bbb	.004			0.10		
ccc	.008			0.20		



- NOTES:
1. CONTROLLING DIMENSIONS ARE IN MILLIMETERS (ANGLES IN DEGREES).
  2. DATUMS [-A-] AND [-B-] TO BE DETERMINED AT DATUM PLANE [-H-]
  3. DIMENSIONS "E1" AND "D" DO NOT INCLUDE MOLD FLASH, PROTRUSIONS OR GATE BURRS.

**Land Pattern -TSSOP-16 EDP**


DIMENSIONS		
DIM	INCHES	MILLIMETERS
C	(.222)	(5.65)
F	.126	3.20
G	.161	4.10
P	.0256	0.65
X	.016	0.40
Y	.061	1.55
Z	.283	7.20

**NOTES:**

1. CONTROLLING DIMENSIONS ARE IN MILLIMETERS (ANGLES IN DEGREES).
2. THIS LAND PATTERN IS FOR REFERENCE PURPOSES ONLY. CONSULT YOUR MANUFACTURING GROUP TO ENSURE YOUR COMPANY'S MANUFACTURING GUIDELINES ARE MET.
3. THERMAL VIAS IN THE LAND PATTERN OF THE EXPOSED PAD SHALL BE CONNECTED TO A SYSTEM GROUND PLANE. FAILURE TO DO SO MAY COMPROMISE THE THERMAL AND/OR FUNCTIONAL PERFORMANCE OF THE DEVICE.

**Contact Information**

Semtech Corporation  
 Power Management Products Division  
 200 Flynn Road, Camarillo, CA 93012  
 Phone: (805) 498-2111 Fax: (805) 498-3804

[www.semtech.com](http://www.semtech.com)